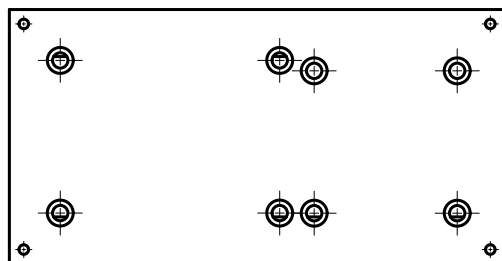
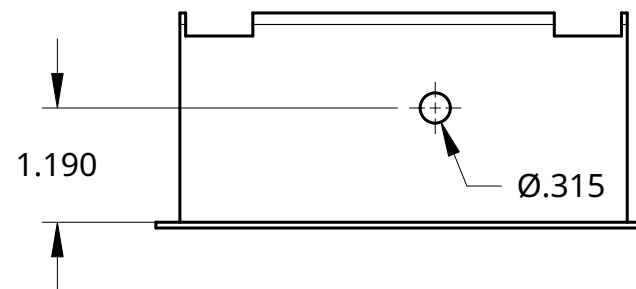
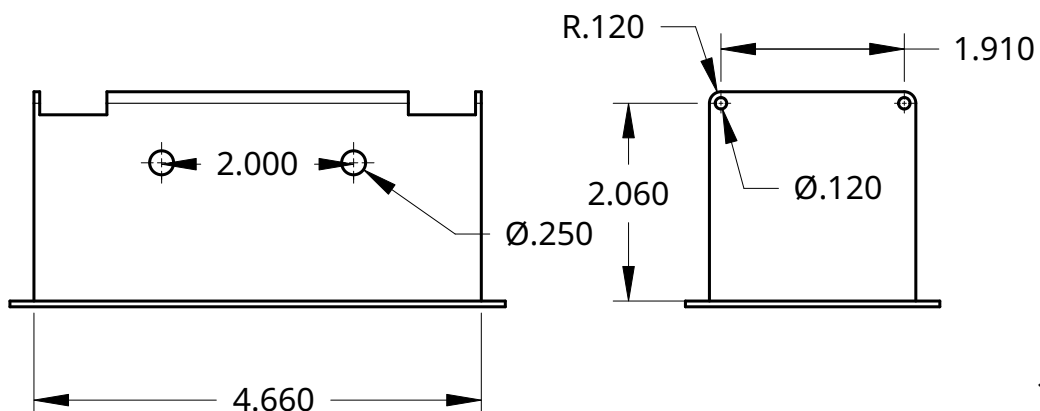
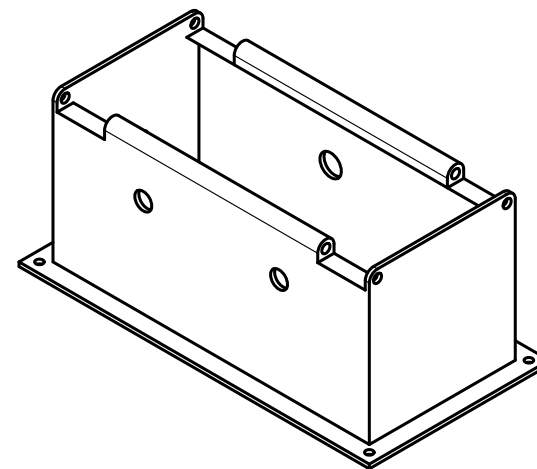
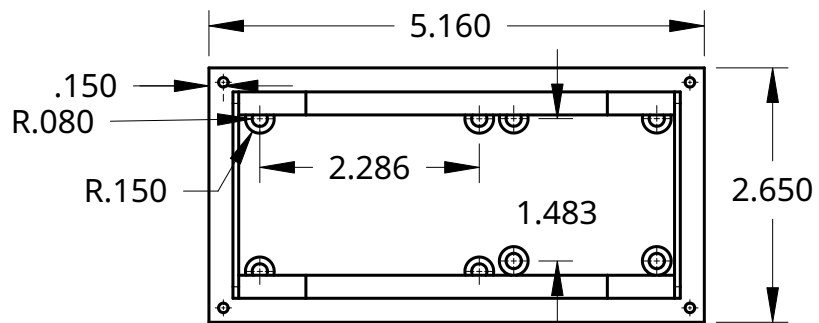


2

1



UNLESS OTHERWISE SPECIFIED,  
DIMENSIONS ARE IN INCHES

.XX = ±.0-  
.XXX = ±.00-  
.XXXX = ±.000-

ANGULAR = ± °  
FRACTIONAL = ±

SURFACE FINISH

DO NOT SCALE DRAWING

BREAK ALL SHARP EDGES AND  
REMOVE BURRS

THIRD ANGLE PROJECTION



|          | NAME               | DATE       |
|----------|--------------------|------------|
| DRAWN    | ROMAN VANDER ZWART | 12/03/2023 |
| CHECKED  |                    |            |
| APPROVED |                    |            |
| MATERIAL | FINISH             |            |

| TITLE              |          |        |
|--------------------|----------|--------|
| Jacob's Ladder box |          |        |
| SIZE               | DWG. NO. | REV.   |
| A                  |          |        |
| SCALE              | WEIGHT   | SHEET  |
| 1:2                |          | 1 of 1 |

2

1